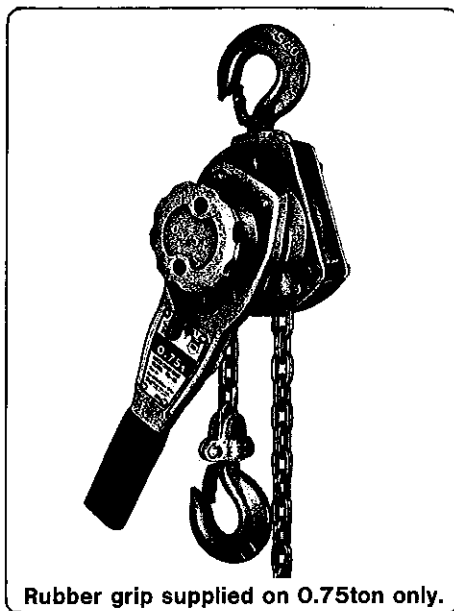


LEVER HOIST

MODEL RB-30N (LEVER HOIST WITH LINK CHAIN)

Operating Instructions No.1



CAUTION

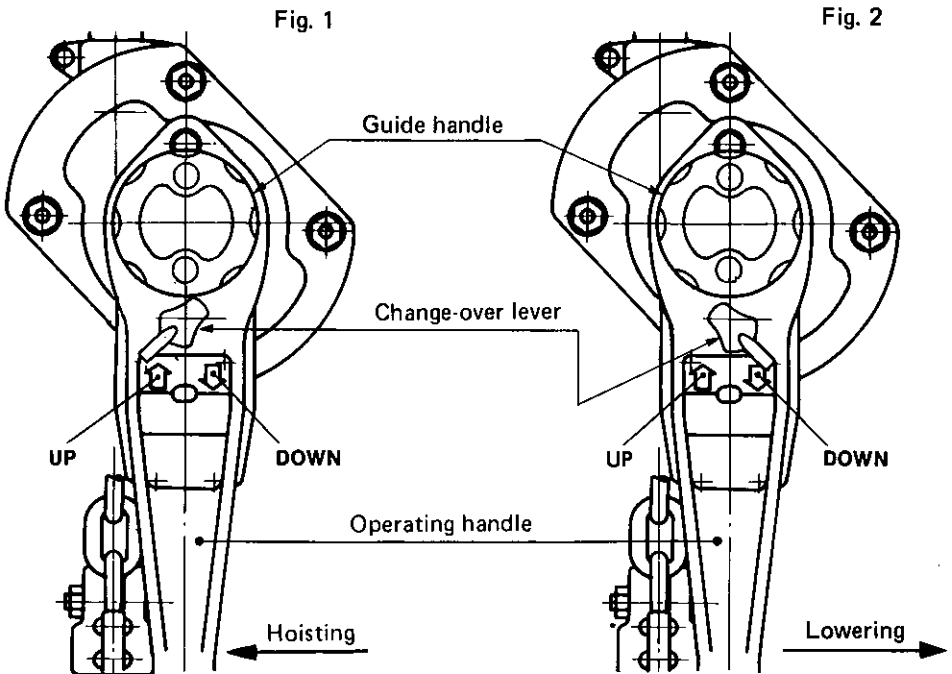
Install, operate and maintain properly to avoid the possibility of personal injury or damage of materials. In the succeeding pages are given important and useful instructions and recommendations to all persons who will install, operate and maintain the Lever Hoist. Read thoroughly the contents before use and retain this handbook for future use for safe, dependable and economical operation.

1. OPERATING INSTRUCTIONS

1 - 1 Hoisting (Pulling) and Lowering

A) When hoisting, set the Change-over lever to the UP position and manipulate the Operating handle clockwise (in the direction of the arrow) referring to the Figure 1 below.

B) For lowering, set the Change-over lever to the DOWN position and manipulate the Operating handle counterclockwise (in the direction of the arrow) referring to the Fig. 2 below.

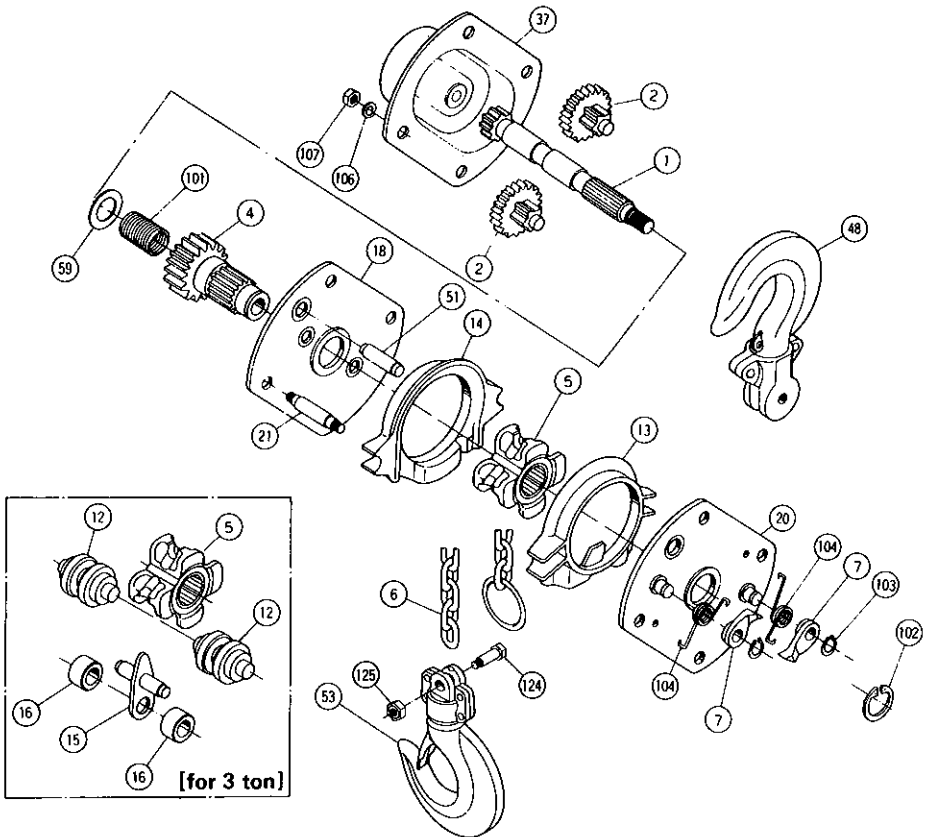


INDEX

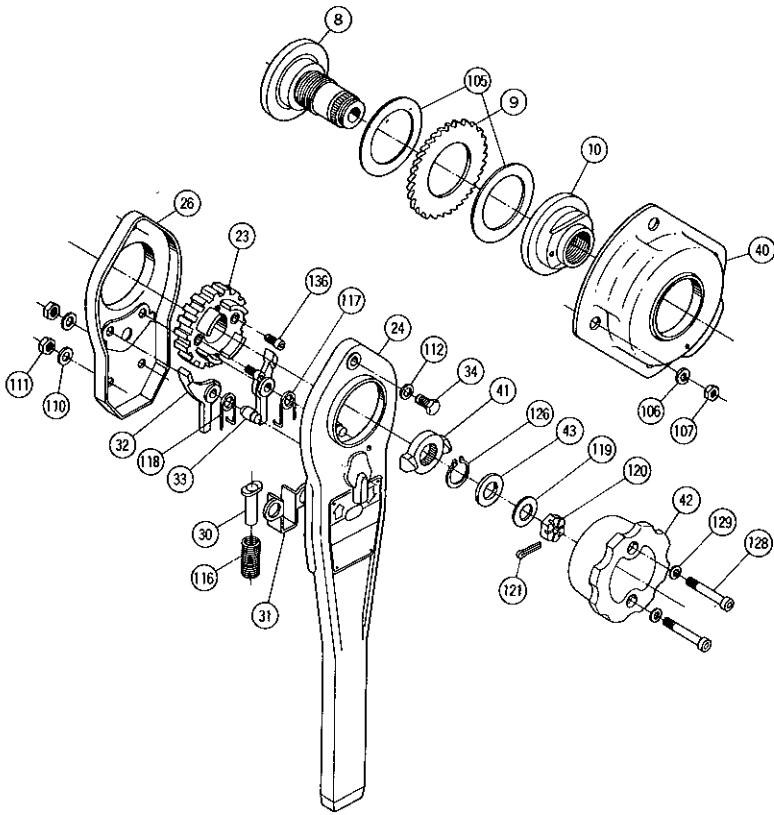
Pages

1. Operating Instructions (hoisting and lowering)	1
2. Parts List	2
Refer to Model RB-30X Operating Instructions for the following sections:	
2. Precautions before use	4
3. Operating Precautions	4
4. Care after Use	7
5. Inspection and Maintenance	7

2. PARTS LIST



P/No.	Part Name	Q'ty	P/No.	Part Name	Q'ty
1	Pinion shaft	1	37	Gear cover	1
2	Pinion	2	48	Top hook assembly	1set
4	Load gear	1	51	Yoke pin	1
5	Load sheave	1	53	Bottom hook assembly	1set
6	Load chain	1set	59	Washer for disc nut 3ton	1
7	Pawl	2	101	Spring for shaft	1
12	Load chain guide	2	102	Snap ring	1
13	Load chain guide(A)	1	103	Snap ring	2
14	Load chain guide(B)	1	104	Pawl spring	2
15	Stripper	1	106	Spring washer	8
16	Stripper collar	2	107	Hexagon nut	8
18	Gear-side plate	1	124	Chain fastening bolt	1
20	Handle-side plate	1	125	Lock nut	1
21	Stay bolt	4			



P/No.	Part Name	Q'tity	P/No.	Part Name	Q'tity
8	Disc hub	1	106	Spring washer	8
9	Ratchet wheel	1	107	Hexagon nut	8
10	Disc nut washer	1	110	Spring washer	2
23	Disc nut	1	111	Hexagon nut	2
24	Operating handle	1	112	Conical spring washer	1
26	Handle cover	1	116	Change-over spring	1
30	Spring shaft	1	117	Spring-A for operating handle	1
31	Shaft base	1	118	Spring-B for operating handle	1
32	Handle pawl	2	119	Flat washer	1
33	Handle pawl pin	2	120	Check nut	1
34	Bolt	1	121	Split pin	1
40	Ratchet cover	1	126	Snap ring	1
41	Check washer	1	128	Bolts for guide handle	2
42	Guide handle	1	129	Washers	2
43	Washer	1	136	Bolts for disc nut	2
105	Friction discs	2			