

RED ROOSTER PNEUMATIC HOIST RRI series, RRI 610040 & RRI 625040

INTRODUCTION.

Thank you for choosing the Red Rooster pneumatic hoist.

Provided that the hoist is used and maintained in accordance with this manual it will afford you many years of reliable service.

Before installing the unit, please ensure that both the personnel responsible for installation and maintenance and those responsible for its use are fully acquainted with the sections of this manual which are relevant to them.

Make sure that this manual is accessible at all times for any relevant person, in case of loss of this manual ask your dealer for new copy.

SECTIONS.

- A) HOIST COMPONENTS
- B) TECHNICAL SPECIFICATIONS
- C) GETTING STARTED - Unpacking the hoist. Installing the hoist. Checks before use.
- D) SAFE OPERATION - The do's and don'ts of safe operation.
- E) LAYING UP THE HOIST - Preparing the hoist for lay-up of varying duration.
- F) PERIODIC EXAMINATION, TESTING - Types and frequency
- G) FITTING AND REPLACING LOAD CHAIN
- H) SPEED AND MAXIMUM LOAD ADJUSTMENT
- I) SILENCING
- J) TROUBLE SHOOTING - Description, cause and remedy
- K) SERVICE DATA, COMPONENT DIMENSIONS AND TOLERANCES.
- L) DUTY RATING OF TCR HOIST
- M) WARRANTY

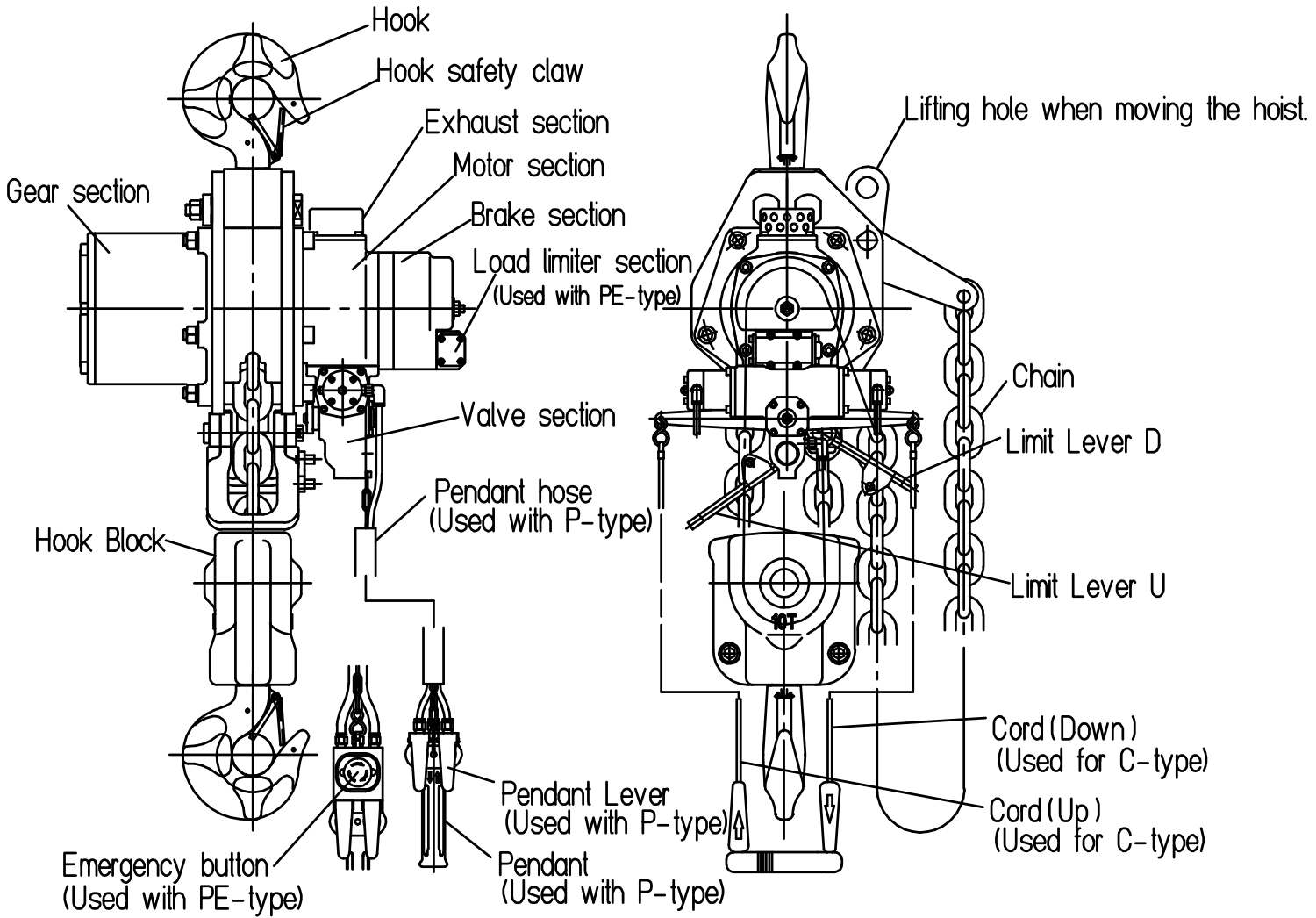
Notations: The following notations are used throughout this manual.

- | |
|---------------------------------------------------------------------------------------------------------------------------------------------------------------------------------------------------------------------------------|
| <p>(!) Failure to follow this instruction may result in a dangerous occurrence or serious injury.</p> <p>(X) Failure to follow this instruction may result in premature wear of the hoist or a component part of the hoist.</p> |
|---------------------------------------------------------------------------------------------------------------------------------------------------------------------------------------------------------------------------------|

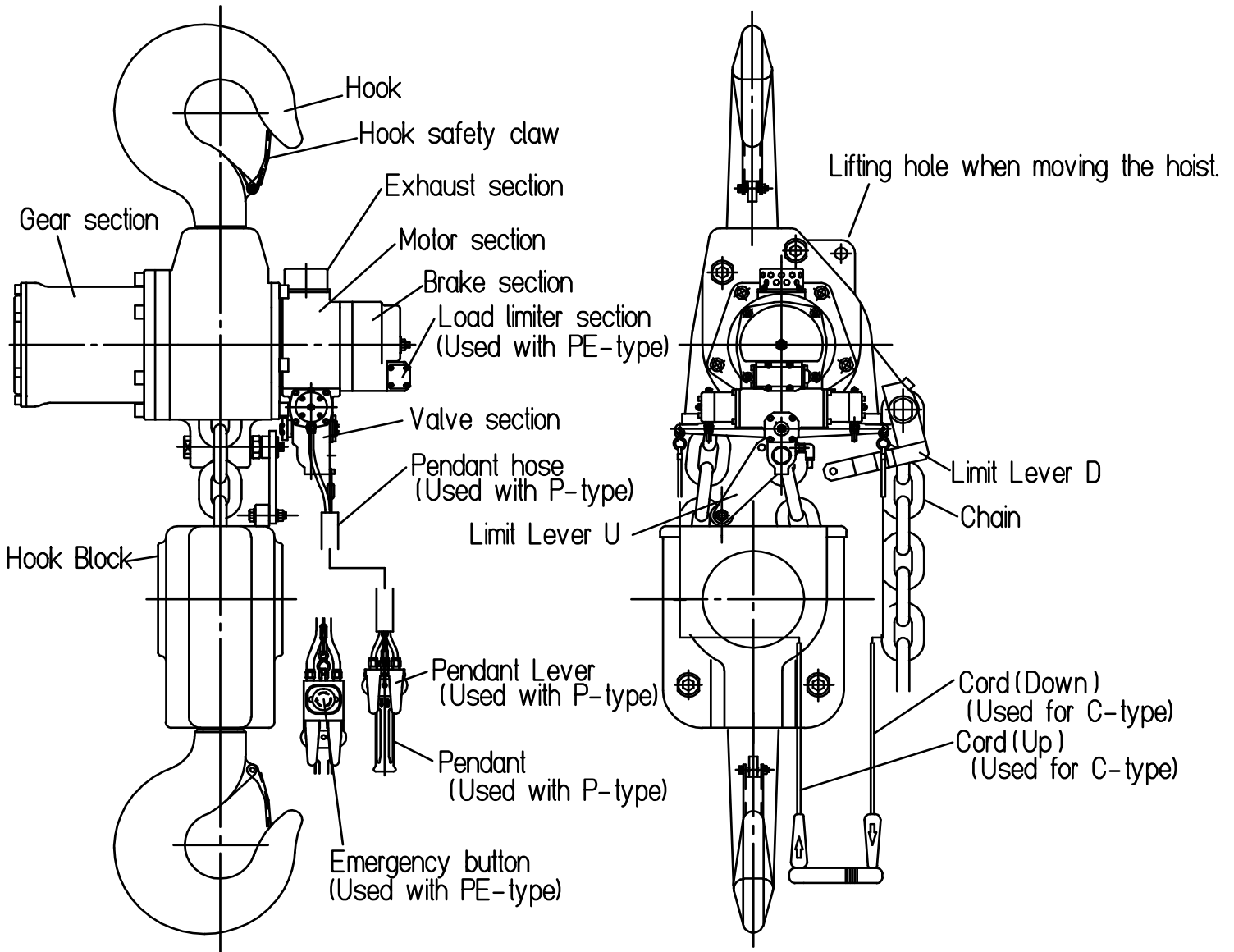
Packaging materials should be recycled or disposed according local regulations

A) Hoist Components

RRI 610040



RRI 625040



B) Technical Specifications

PERFORMANCE SPECIFICATION AND INSTALLATION DATA – ~~TCR HOIST RANGE~~

<i>Toku Model</i>	Max. S.W.L. kgs.	Full load* Mpm	No load* mpm	Chain falls	Inlet air pressure
<i>RRI-610040</i>	10.000	1.5	2.2	2	0.4 – 0.63 MPa
<i>RRI-615060</i>	15.000	1.0	1.7	3	0.4 – 0.63 MPa
<i>RRI-620080</i>	20.000	0.8	1.2	4	0.4 – 0.63 MPa
<i>RRI-625100</i>	25.000	0.6	0.9	5	0.4 – 0.63 MPa
<i>RRI-625040</i>	25.000	0.5	0.7	2	0.4 – 0.63 MPa
<i>RRI-635060</i>	37.500	0.3	0.5	3	0.4 – 0.63 MPa
<i>RRI-650080</i>	50.000	0.25	0.35	4	0.4 – 0.63 MPa
<i>RRI-675120</i>	75.000	0.2	0.2	5	0.4 – 0.63 MPa

*Max. speed (6 bar)

<i>Toku Model</i>	Air cons. Full load L/sec.	Air inlet size	Hose I.D. <10 m. Mm.	Hose I.D. >10 m. mm.	Air SVCE unit size mm.
<i>RRI-610040</i>	90	PT 1"	25	32	AC50-F06ET
<i>RRI-615060</i>	90	PT 1"	25	32	AC50-F06ET
<i>RRI-620080</i>	90	PT 1"	25	32	AC50-F06ET
<i>RRI-625100</i>	90	PT 1"	25	32	AC50-F06ET
<i>RRI-625040</i>	120	PT 1"	25	32	AC60-F10ET
<i>RRI-635060</i>	120	PT 1"	25	32	AC60-F10ET
<i>RRI-650080</i>	120	PT 1"	25	32	AC60-F10ET
<i>RRI-675120</i>	120	PT 1"	25	32	AC60-F10ET

Toku Model	Max. noise dBa, 1 m	Nom. Chain dia. Mm.	Nom. Chain pitch	Weight C/W 3M H.O.L.	Weight per add. m. H.O.L.	Bottom hook swivel	Closed height mm.
<i>RRI-610040</i>	85	16	45	190	10	Bearing	890
<i>RRI-615060</i>	85	16	45	190	15	Bearing	1250
<i>RRI-620080</i>	85	16	45	240	20	Bearing	1350
<i>RRI-625100</i>	85	16	45	455	25	Bearing	1378
<i>RRI-625040</i>	85	22	66	320	20	Bearing	1440
<i>RRI-635060</i>	85	22	66	850	30	Bearing	1550
<i>RRI-650080</i>	85	22	66	1100	40	Bearing	1980
<i>RRI-675120</i>	85	22	66	1500	50	Bearing	1505

C) GETTING STARTED.

UNPACKING THE HOIST.

Take care when unpacking, for weight details : see technical specifications. (!)

The hoist will have been packed into a cardboard box or palletised. When unpacking:

Ensure that both the hoist and any ancillary equipment are recovered from the packing. (Small or delicate items may have been packed separately.) Check the contents against the Supplier's delivery/advice note and advise the supplier immediately of any shortages.

Ensure that the hoist and ancillary equipment are undamaged. If the goods do not reach you in perfect condition, notify your supplier immediately of any damage. Do not proceed with installation if the goods are damaged. (!)

Ensure that a Certificate of test and thorough examination together with a CE Certificate of Conformity is included with the goods. Hand these to the 'responsible person' for safe keeping. Check that the Identifying Mark (serial no.), the Safe Working Load (Lifting Capacity) and 'CE' mark appear on the hoist. Throughout the E.C. these items are required by statute. A lack of any of the above may result in a caution or prosecution by the government health and safety authority, and may negate your insurance cover in the event of an accident.

Record the relevant details from the documentation in the space below.

Hoist Type	:
Serial no./Mark	:
S.W.L.	:
Date of Purchase	:
Date of Test	:
Supplier Name	:
Tel. No.	:
Fax No.	:

IN THE EVENT OF ANY PROBLEMS OR SHOULD YOU REQUIRE ASSISTANCE CONTACT THE SUPPLIER AS DETAILED ABOVE QUOTING THE HOIST TYPE AND SERIAL NUMBER.

INSTALLING THE HOIST

Air supply:

(X) Vane type air motors are designed to function using clean, dry, lubricated air. The installation of an 'in line' air service unit although essential cannot in itself compensate for serious contamination in the air supply. When operating the compressor in moist (humid) or dusty atmospheres seek the advice of your compressor supplier with regard to the fitting of a dryer and filter.

Air pressure:

The hoist is designed to operate in the pressure range of 4 to 6 Bar (60 to 90 p.s.i.). The speeds quoted on the manufacturer's literature are obtainable only at 6 Bar (90 p.s.i.) inlet pressure. The hoist will operate at much reduced speed at pressures below this figure.

Air flow:

Refer to the chart to select the hose diameter which ensures adequate air flow. Failure to provide adequate air flow will result in a pressure drop in the supply line and cause the hoist to stall and the brake to apply until the pressure increases. In addition, the brake will not release cleanly and will overheat. (Although not in itself a hazard [the brake fails safe] it may prove frustrating to the operator and a hazard may arise as a consequence.) **(X)**

Dos and don'ts:

Do use exclusively correctly rated pneumatic hoses and fittings in the air supply line.

Do maintain the internal diameter of hose and fittings (as per the table throughout the supply length) or reduce from the larger diameter to the smaller diameter in the direction of the hoist

Do shut-off the air supply when disconnecting air hoses from the hoist **(!)**

Don't create low points in the air supply line where water may be trapped (or if unavoidable install a drain tap).

Don't rely on pneumatic fittings to support air lines; they are not designed for this purpose. **(!)**

Don't shorten the pendant by forming a loop or coil. This will prevent the strainer wire from supporting the pendant and will cause the hoses to become detached or kinked. **(!)**

Air Service units:

The correct size of air service unit for each hoist type is stated in the table. The air service unit must be installed with the lubricator unit down line from the filter unit. The unit should be installed at the hoist inlet port or within three metres of the inlet port. (Siting the unit further away will result in lubricant being deposited on the internal walls of the supply line and hence it will be necessary to increase the lubrication rate above the levels specified [see table] to ensure adequate lubrication of the hoist.)

Filter unit (Water trap):

These are available with manual drain or automatic drain.

Manual drain units. As the name implies, these units must be drained by the operator as the filter bowl becomes full of water. The frequency of draining is entirely dependent upon the usage of the hoist and the moisture level of the air supply and will soon be established by experience. It is recommended that a person be appointed to check and drain the filter unit at a specified frequency **(X)**

In clean environments e.g. laboratories, paint spray booths, manual drain filters are essential to prevent contamination.

Automatic drain units. These units are automatically self purging. When the filter bowl is full it will automatically drain itself. Although very convenient to the user, the unit must be sited such that either the purged water is captured by a tray or it purges into an area away from personnel, equipment (particularly electrical equipment) and goods. If contamination from purged water is not a problem then automatic drain units should be selected.

Failure to fit and drain the filter will result in excessive moisture being carried into the hoist valve, motor and brake actuator resulting in internal corrosion and premature failure **(!)**

Lubricator unit

Two types are available

Oil mist Lubricator The preferred type, and essential where the lubricator must be sited some distance from the hoist. The unit produces atomised oil particles which remain in suspension in the air longer.

Droplet lubricator Due to the larger particle size of the oil droplets, these may only be used where the lubricator is close coupled to the hoist.

Failure to fit a lubricator and maintain the correct oil flow will result in rapid wear of the rotor vanes within the motor, excessive heat generation and failure of the air motor within a very short period **(!)**

Regulator Unit

Most compressors are supplied with a regulator on the output. However, where a number of different pneumatic tools are supplied from the same compressor it is good practice to maintain the supply line or ring main at a higher pressure and to fit a regulator to the supply at each tool.

The operating pressures stated for the air hoist are the pressures required at the hoist inlet manifold. Subject to the type of air line, a pressure drop in the line of between 0.1 and 0.35 Bar (2 and 5 p.s.i.) per 10 metres of line should be anticipated (as a result of the frictional resistance of the walls).

Before connecting the air supply line to the hoist, restrain the end and 'blow out' the line to prevent any 'foreign' material from entering the hoist motor.

Before connecting the air supply line to the hoist, pour 5 to 10 cc of Yokota airtool oil (order no. NO32) directly into the airline to ensure that oil is present in the motor at start up.

Festoon systems:

Where the hoist is to be mounted in a fixed position, then air supply installation is a simple matter. Flexible or rigid pipework may be used, temporary or permanent provided that the pipework is adequately supported and the last metre or so is flexible to allow the hoist to move without fracturing the pipe.

Hoist and trolley systems:

The type of installation selected is dependent upon the distance which the hoist/trolley is to be required to move. As a general rule:

1 to 2 metres of movement Flexible hose suffices (the recoil type takes up less space.)

Up to 5 metres (on a runway) Flexible hose may be supported by a taut wire installed parallel to the runway along the travel length.

Over 5 metres (on a runway) A 'C' track system with hose carrying trolleys or an automatic hose reeling drum should be selected.

FOR SPECIALIST ADVICE, CONSULT YOUR DEALER

Lubrication:

Item	Oil type	Frequency
Lubricator unit	Yokota NO 32 Medium to Light Turbine Oil ISO VG 32 -56 or any quality airline lubricant <u>See Note 1</u>	10 to 15 drops per minute Do not allow lubricator to run out of oil
Load chain	Normal Industrial -Any light mineral oil Clean areas - wax based, semi setting Food industry - suitable vegetable oil <u>See note 2</u>	Weekly/monthly subject to environ- ment /use.
Limit lever linkages Anchor pins	No. 2 grease	Monthly or more frequently in aggressive environments
Gearbox	High temp EP2 Grease	Only at major overhaul

Note 1 In all cases oil will be expelled from the hoist exhaust. The amount discharged is proportional to the delivery rate of the lubricator. In environments where oil in the exhaust cannot be tolerated, the exhaust can be piped away to a safe area, but this requires specialist modification of the hoist - CONSULT YOUR DEALER.

Always use the correct grade of oil. The wrong air line lubricant will damage the hoist (X)

Note 2 Failure to lubricate the chain will lead to pronounced and very rapid wear of the chain at the crown of each link. (!) Very little lubricant is needed to prevent this. In areas where the occasional drip of oil could prove a problem, lightly but thoroughly oil the chain and then wipe off the excess with a clean cloth. Oil will be left at the interstices of the chain.

NEVER use heavy grease or bitumen based products to lubricate the chain as these will foul the chain guide, idler and load wheels and bearings. (X)

Prevent contact of the lubricants to your skin as this may cause irritation to the skin, wear protective gloves (X)

Mounting the Hoist:

The air hoist is designed as a LIFTING MACHINE and as such is designed exclusively for lifting loads vertically. Non vertical lifting will result in premature wear of the chain and chain guide and may result in damage to the limit arms or a failure of the limit arms to operate (!)

Site the hoist immediately above the load which is to be lifted (!)

Ensure that the point from which the hoist is suspended has been designed and tested to at least the same safe working load as the hoist itself (!)

Ensure that the suspension point fits snugly into the bowl of the hoist top hook and that the safety latch closes to prevent escape (!)

Use only tested lifting gear having a safe working load in excess of the load to be lifted to connect to the load itself (!)

Ensure that the lifting gear fits snugly into the bowl of the hoist bottom hook and that the safety catch closes to prevent escape (!)

Ensure that the control length (pendant or cords) is adequate to allow the operator to stand away from the load, in a secure position with the cords or pendant at waist height (!)

Hoist operating temperature : - 10°to + 70°C.

Air trolleys and some pendant valves are -10°to + 50°C

Close headroom working

The lower hook of the Red Rooster hoist includes a swivel arrangement. This allows the load to turn without twisting the chain. However, when repeatedly handling loads with the bottom hook close to the hoist, especially when rotation of the load is prevented, there is a tendency for the chain to attempt to enter the guide at an angle. This is particularly pronounced on two fall units. If this problem is noticed when doing a trial lift, a high quality ball bearing swivel should be mounted below the bottom hook of the hoist.

Chain Collectors

If the hoist has been supplied with a chain collector bag or bucket, and the chain has been stored within it during shipment, remove all the chain from the collector by hand, and remove any knots or twists.

In all cases carefully feed the chain over the load wheel allowing it to fill the collector without interference as it emerges from the wheel. This way the collector will fill normally. If the chain within the collector is disturbed great care must be taken the next time that the chain is fed out of the collector to ensure that it is not twisted or knotted (!)

Mounting on trolleys

Ensure that the trolley is properly mounted on the beam and set correctly for the beam with adequate wheel clearance. (!)

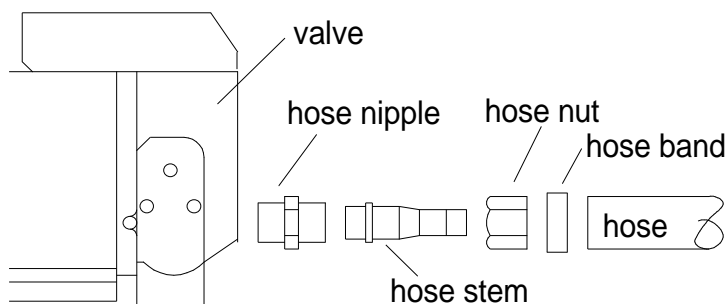
Ensure that the stops for the trolley mounted on the runway beam are correctly positioned and securely installed (!)

Ensure that the top hook or link plate of the hoist fits properly on the suspension point of the trolley and is assembled properly with the hoist at the centre of the load bar (!)

Ensure that the load bar and tie bar nut have been secured and the trolley side plates are set parallel to the beam web.(!)

Ensure that the tie bars are correctly adjusted in the slots with the anti tilt roller close under the beam with enough clearance to allow the trolley to run along the beam (!)

Standard Hose Connection



CHECKS BEFORE USE.

These checks should be carried out after installation and on a frequent and regular basis thereafter. They require no specialist knowledge. If the hoist is used daily then it is recommended that they are carried out daily as the checks take only minutes to complete and not only help avoid repair bills but significantly reduce the possibility of an accident, or dangerous occurrence.

Air supply checks:

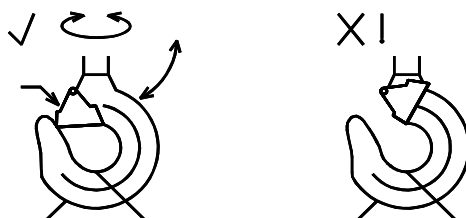
Inlet pressure 4 to 6 Bar (at hoist inlet – there will be a pressure drop along the air hose and across the air set (!)

Lubricator topped up with oil and correctly adjusted.

Manual Filter drained.

Air line undamaged, without leaks, fittings sound. Hose connections wired or pinned.

Hoist checks (air supply switched off)



Hook swivels satisfactory

safety claw

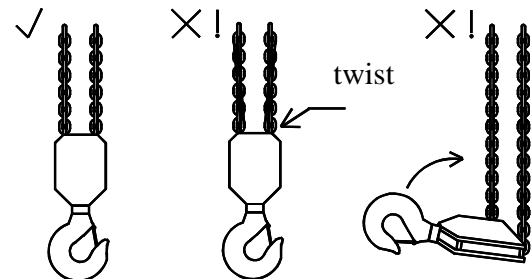
Hook safety claws functional and undamaged

Chain undamaged

Chain not twisted through (two fall models see sketch)

Chain moves freely around the pocket wheels

Chain anchor sound.



Hoist checks (air supply switched on)

Test run the equipment prior to application of a load to ensure the equipment along with its control and safety devices work correctly

Pendant buttons, levers or cords smooth to operate, automatically return to neutral (hoist stops) on release. Ensure that the direction for lifting/lowering comply with the actual movement.

Emergency stop functional.

Upper limit operation satisfactory

Lower limit operation satisfactory

Chain runs smoothly over the pocket wheels.

Hoist stops immediately when pendant trigger, button or cord released.

The inclusion of the above checklist into the company safety procedures is recommended.

D) SAFE OPERATION.

Hoist operators must read and understand the contents of this manual before operating the hoist **(!)**

The contents of this section are designed for the guidance of personnel using the hoist. For the most part they are 'common-sense' procedures. Most dangerous occurrences involving lifting machines are not as a result of a defect developing in the machine itself but are as a result of an error or act of carelessness by the operator. As such, the vast majority of accidents or dangerous occurrences are avoidable.

It is further recommended that only authorised personnel should be permitted to use the hoist and that a prerequisite to authorisation should be basic training in both safe use and visual examination (as per the safety checks above) of the hoist.

Hoist operators must be healthy and not under the influence of alcohol, drugs or medication when operating the hoist **(!)**

Hoist operators should be trained in proper rigging procedures for the attachment of loads to the hoist **(!)**

The operator is always responsible for his own safety and anybody else in the operating area **(!)**

Ensure that the weight of the load to be lifted is less than the safe working load of the hoist**(!)**

Ensure that the load is securely supported by it's lifting gear (slings shackles etc.) and that it cannot 'escape' whilst being lifted **(!)**

Never apply the load to the tip of the hook or safety latch **(!)**

Ensure that the lifting assembly (slings, shackles etc.) has a higher safe working load in the configuration used than the load to be lifted **(!)**

Ensure that the point at which the hoist is to be suspended has a greater safe working load than the hoist **(!)**

Never apply the load to the tip of the hook or safety latch **(!)**

Plan every lift **(!)**

Ensure that the load is free to move and will clear all obstructions **(!)**

Avoid swinging the load or hook **(!)**

Always start the lowering or lifting movement slowly and smoothly **(!)**

Stand clear of the load when lifting or lowering, and ensure that the point at which you are standing is secure (!)

Ensure that other personnel cannot enter the immediate area where the lift is taking place(!)

Always keep your attention during operating the hoist, stay concentrated (!)

Never lift the load higher than is necessary (!)

When using the hoist jointly with another person, use signals agreed upon at the job site (standardized signals) (!)

Never leave a suspended load unattended (!)

Never walk under a suspended load (!)

Never lift a load over persons (!)

Do not use the hoist if the chain is damaged, twisted, kinked or worn (!)

When using the hoist without chain collector, avoid the slack chain to fall, catch or impact as this can cause hazards (!)

Ensure that the load is stable and in balance at starting lifting or setting down as tilting or falling loads can cause accidents (!)

In case of air pressure loss, secure the load and area. Ensure that turning the air supply back on cannot result in a dangerous occurrence (!)

Avoid shocks during lifting/lowering, start/stop the movement smoothly (!)

Do not change the movement direction suddenly as this will shocks (!)

Never allow loads to “fall” into the load chain (!)

Never use the load chain as a sling or wrap the load chain around the load (!)

Never use the Red Rooster hoists for lifting or transporting persons, they are not designed for this (!)

Ensure that no vibrations are transmitted in any way to the hoist by either the load or supporting structure (!)

Never lock the control elements of the pendant or cords (!)

Stop using the hoist in case of abnormal sounds (!)

Do not wear loose clothing (ties, scarves etc.) which may get dragged into the hoist or bottom block (!)

Wear safety boots or shoes (together with a safety helmet if lifting overhead). (!)

Never use the chain, hooks or hoist as an electrical ground for welding or electricity (!)

Do not use the limits as a means of stopping the hoist (these are safety devices) (!)

Do not use the controls as a means of moving the hoist (the pendant is designed to support its own self weight only). (X)

Do not hold onto the load chain when controlling a load (fit a tag line to the load if necessary to ensure that the load is controlled) (!)

Do not use the hoist to lift / lower personnel (!)

Only use the hoist to lift a load vertically (by siting the hoist directly above the load). It is not designed to pull or drag loads (!)

Operate the hoist smoothly. Do not suddenly change direction as this may exert both shock loads and acceleration forces well in excess of the weight of the load being lifted (!)

Do not touch the hoist body immediately after extensive use, as it might be hot (!)

Wherever possible ensure that you are sited in a position to see the load at all stages of the lift (!)

If it is not possible to site yourself in a position where you can see the load at all stages, appoint a second person as 'banksman' to cover the area which you cannot see and establish a reliable method of communication (verbal or hand signals) before starting the lift (!)

If you suspect that the hoist may be defective in any way, do not use it. Either remove the hoist to an area where it cannot be used or clearly label the hoist 'Defective, Do not use'. Report the defect IMMEDIATELY to your Supervisor or the Safety Officer (!)

If you suspect that a fault has developed during a lift, stop the lifting operation immediately, and seek the advice of your Supervisor or the Safety Officer. If the load is suspended ensure all personnel stay well clear of the area of operation (!)

At all times think before you act (!)

Note:

Always follow the applicable European and local Regulations regarding lifting and in case of hoist with trolley transporting loads.

E) LAYING UP THE HOIST.

Whenever the hoist is unused for a period (weekends, holidays or in store), a little preparation will ensure that the hoist operates correctly and safely when put back into service.

Short lay up periods (2 to 30 days):

Turn up the oil delivery rate of the lubricator to maximum and run the hoist for two minutes, thereby ensuring that the hoist motor and control valve are well lubricated. (This also helps to displace any water which may be lying in the hoist) **(X)**

Longer lay up periods (in excess of 30 days):

Heavily lubricate the hoist as specified above.

If the hoist is contaminated with dirt or chemicals, wash with a proprietary mild solvent or detergent and thoroughly rinse off with fresh water. Allow to dry, and spray lightly with penetrating fluid.

Lubricate the load chain, limit shafts, safety latches and hook swivels.

Disconnect the air supply and plug the inlet port.

Store in a dry ventilated area.

F.) PERIODIC EXAMINATION, TESTING

EXAMINATION

European Law requires that a thorough examination of the hoist should be carried out by a competent person:

- Before being put into service.
- At a frequency not exceeding 12 months
- After being put into service at a new site
- After involvement in an accident or dangerous occurrence
- After a significant change in the conditions of use
- After long periods out of use (time not specified.)

Lifting Operations and Lifting Equipment Regulations 1998, section 9 refers.

The record of such examination must be retained for as long as the employer continues to operate the equipment.

The regulations also call upon the employer to carry out a risk assessment; to adjust the frequency of inspection according to the potential risk, to determine the nature of inspections and to ensure that the persons carrying out the inspection are competent to do so.

It is recommended that in the case of the TCR hoist inspections are carried out in accordance with the following schedule, although the frequency of the 'six month inspection' should be increased in high risk environments, aggressive environments or where the usage is particularly heavy.

Every day:

The items listed under 'checks before use in section 1 of the manual should be examined.

It is recommended that the lubricator is 'topped up' as a part of this inspection routine

At least once per month:

load chain - thoroughly examine throughout it's length for wear in the links, cracks or distortion. If the wear in the links exceeds that stated in the chart the chain should be replaced. If there are any visible cracks or distortion the chain should be replaced **(!)** (see pag. 9.4)

Never lengthen or repair the load chain **(!)**

brake - with a load applied check the brake efficiency. If there is any delay in actuation or slippage, the brake is defective and the hoist must be thoroughly overhauled before being returned to service **(!)**

Hooks, swivels and claws - Examine hooks for wear, deformation (refer to chart), nicks and gouges. Ensure that the hooks swivels smoothly and that the safety claw opens fully and closes under the spring tension. Check hook dimensions L and H according the hook certificate and replace hook in case dimensions differ according chapter 9

Chain anchor pin - Examine for wear or deformation.

Nuts and bolts - Using a suitable spanner and allen key, check for any loose nuts and bolts. Re-torque as necessary (part nr. 25 on 9 Nm)

Upper and lower limit (chain lever) - Ensure that it functions correctly in both the fully raised and fully lowered positions.

It is recommended that the load chain and linkages are lubricated as part of this inspection routine.

NOTE!

If your hoist is a “spark resistant” version; check the bronze coating of the lower- and upper hook on signs of wear. A worn out coating is not spark resistant anymore and can cause dangerous situations. Therefore let the bronze coating be renewed by your supplier in time.

Six monthly:

Arrange to have the hoist examined by a person specifically trained and experienced in the examination of lifting machines. If you do not have such a person in your employ, the use of a BS/EN/ISO 9002 approved party is recommended. Ensure that the party is operating to a detailed inspection procedure or code of practice.

It is advised to log all checks, inspections, repairs and parts replacements in a logbook in order to keep track of the history of the hoist

TESTING

LOLER 98, section 4 calls for the employer to ensure that the hoist is of adequate strength and stability for each load. No frequency of test or proof loads are specified.

In the case of the TCR hoists the hoist is functionally tested with a proof load of 150% of safe working load prior to delivery (Test Certificate refers).

It is recommended that the test is repeated along with a thorough Examination if the hoist is substantially repaired (i.e. any repair which may affect the hoist's ability to lift, lower and sustain a load).

Repeated proof load testing of the hoist should be avoided.

G) FITTING/REPLACING LOAD CHAIN

TYPES OF CHAIN

Only the correct size and grade of load chain should be used (!)

10 tonner

Nominal diameter:	16.00 +0.1 - 0.6	mm
Pitch:	45.0 +0.5 -0.3	mm
Max. dia. at weld	17.2	mm
Minimum braking force:	320	kN
Surface hardness	ca 450-600HV10	
Quality Grade:	EN818/ 1-7	

25 tonner

Nominal diameter:	22.0 +0.80 -0.60	mm
Pitch:	66.0 +0.90 -0.40	mm
Max. dia. at weld	23.60	mm
Minimum braking force:	630	kN
Surface hardness	ca 380-400HV10	
Quality Grade:	EN818/ 1-7	

Note: Spark resistant hoists may have been fitted with Grade 50 or 60 stainless steel chain. Please refer to supplier.

When supplied new, only quality chain from a reputable supplier has been fitted to the hoist. Your supplier will be able to offer replacement chain of like quality.

FITTING THE CHAIN

The hoist will require to be hung up with an airline connected.

The chain stopper will require to be fitted at least 8 links from the unloaded end of the chain.

The chain must be fed over the pocket wheel from the slack end anchor side with the weld of every second link facing away from the wheel axis i.e. weld outwards.

Care must be taken not to twist the chain during installation. This is best achieved by holding the live end of the chain as it emerges from the hoist, if the hoist is reeved on two parts of chain, feeding it through the free limit lock, through the bottom block wheel and again holding it as it emerges, thereafter feeding it up to the anchor pin. If the chain cannot be fitted to the anchor without rotating it through 90 degrees, the end link should be removed.

Run the chain through the hoist, leaving a short tail at the 'slack' end. Anchor the slack end without twisting the chain.

On single fall hoists the live end is fed through the limit lock, through the sleeve and secured in the bottom hook holder by the sleeve pin. (Thereafter the sleeve is pushed down over the holder to retain the pin and secured by a locking ring.)

Feeding the chain over the load wheel.

It is very easy to trap or damage the chain if extreme care is not exercised. Always examine the first link of chain after passing it over the load wheel. If damaged, remove the damaged link(s) (!)

Replacing existing chain

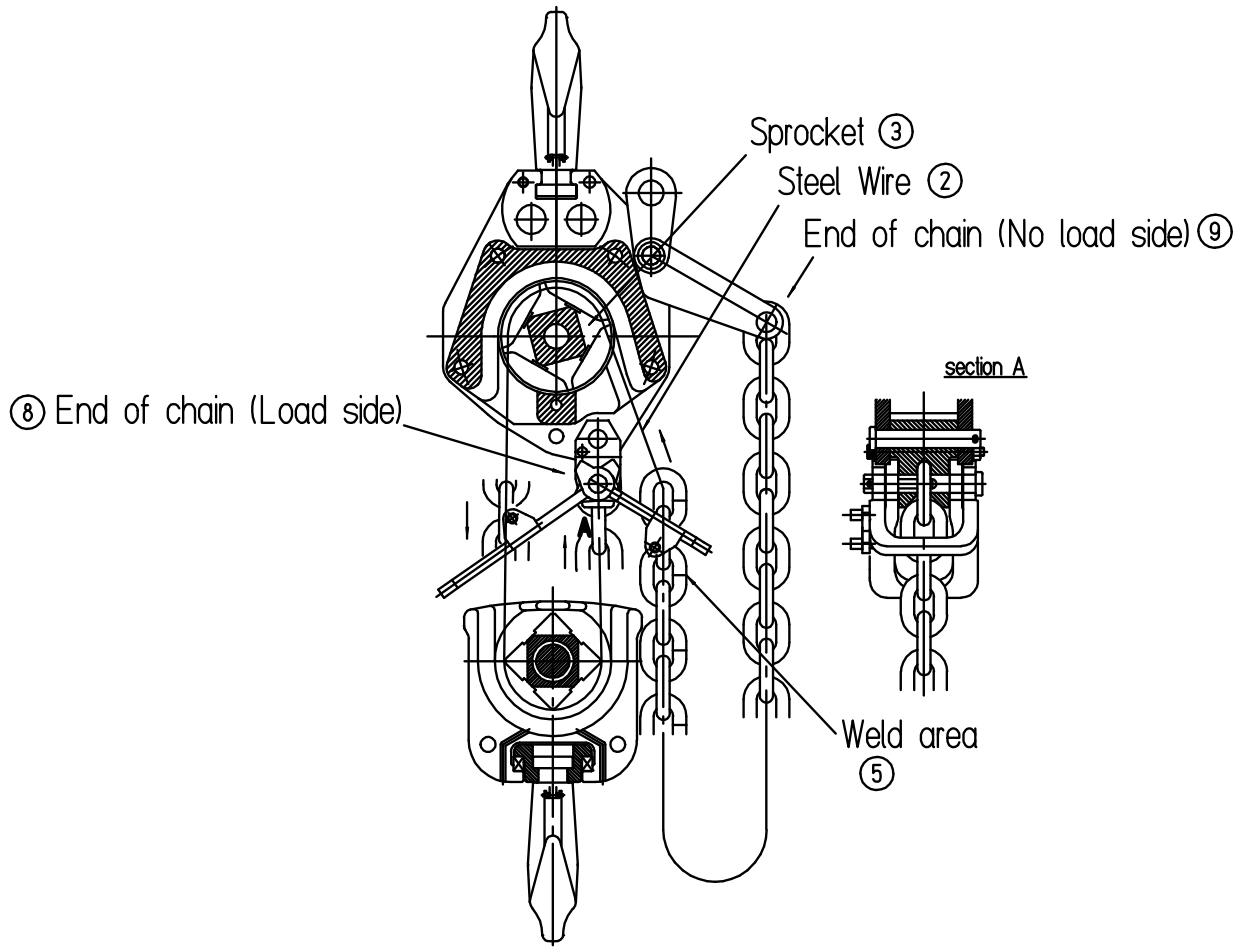
Cut away the centre portion of a link of the old chain to allow a chain diameter to pass through. Connect this spare link to the last link of the old chain and the first link of the replacement chain. Use the old chain to draw the replacement chain through the hoist. (Retain the spare link to be re-used)

Fitting chain to an unchained hoist.

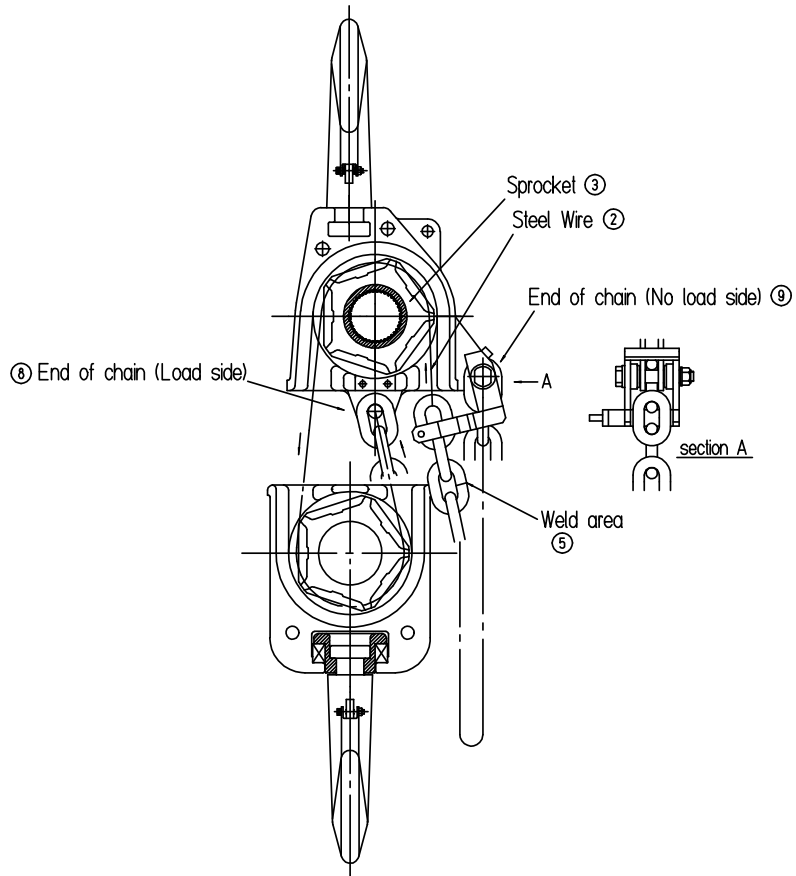
A handy tool comprises a length of either soft insulated wire (about 2 mm diameter) or a piece of flexible nylon tube of the same diameter approximately 500 mm long. To the end of this is attached a similar length of strong twine.

The soft wire or tube is fed over the wheel, its flexibility allows it to follow the chain guide and re-emerge at the opposite side. The twine is attached to the end of the chain and drawn through, pulling the chain against the wheel. By applying power very slowly in the same direction of winding, the load chain is dragged into the first pocket and over the load wheel. If any resistance is felt as the chain attempts to enter the pocket it is imperative that the chain is released from the pocket before trying again. Otherwise the chain will become trapped and damaged.

RRI 610040



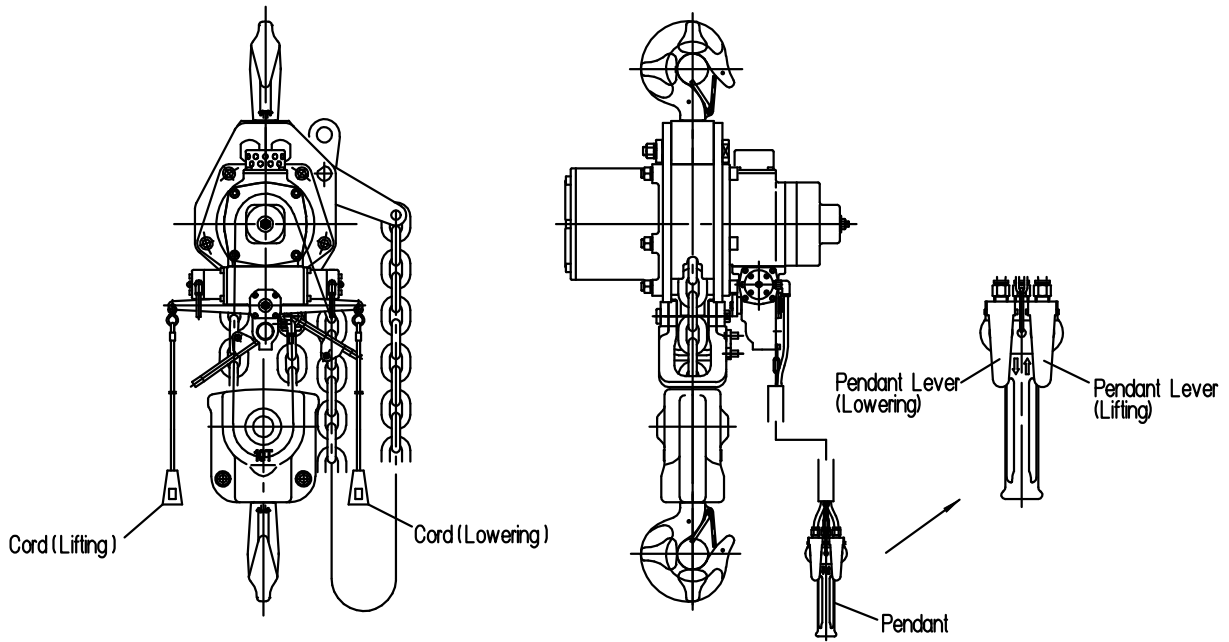
RRI 624050



H.) SPEED AND MAXIMUM LOAD ADJUSTMENT

SPEED ADJUSTMENT

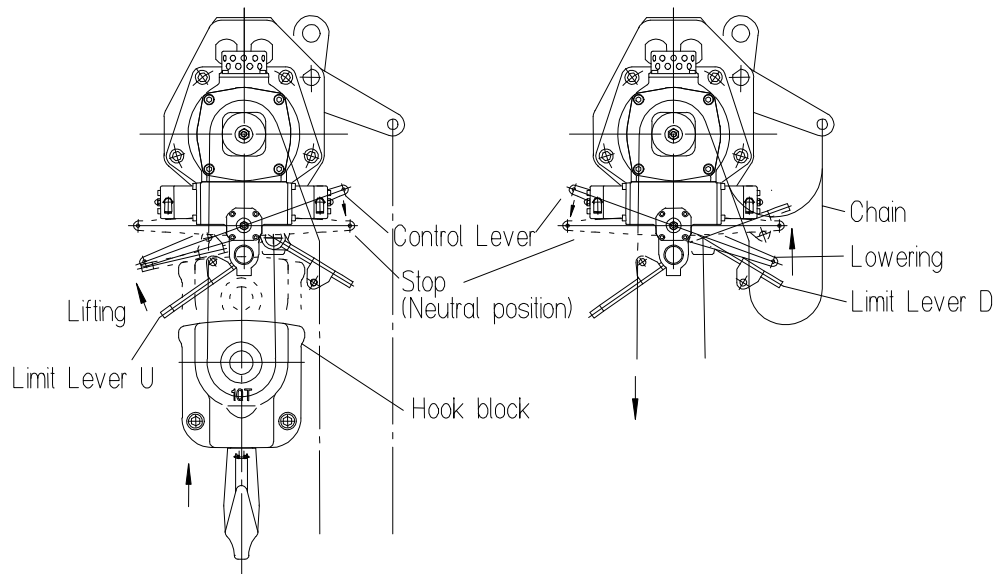
Every RRI hoist is checked at the factory to ensure the maximum hoisting speed is in accordance with the specification.



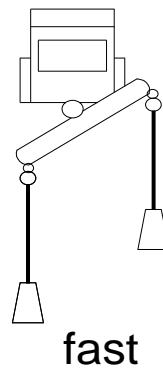
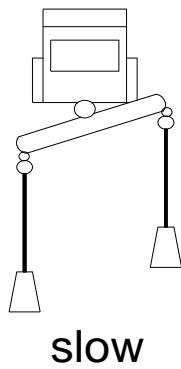
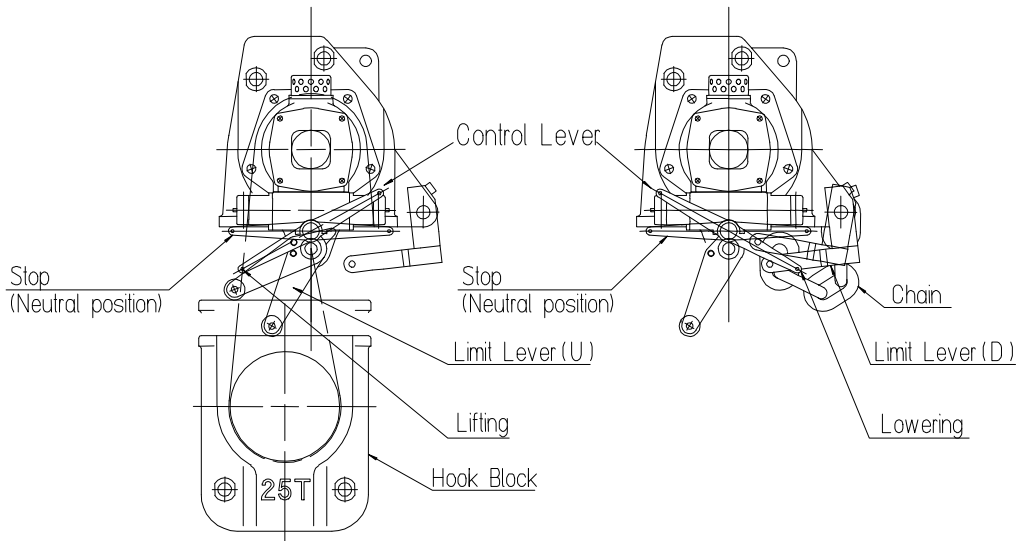
Cord Control Hoist

The speed of the hoist is proportional to the amount of downward movement in the control cord, which via the code lever controls the amount by which the valve is opened.

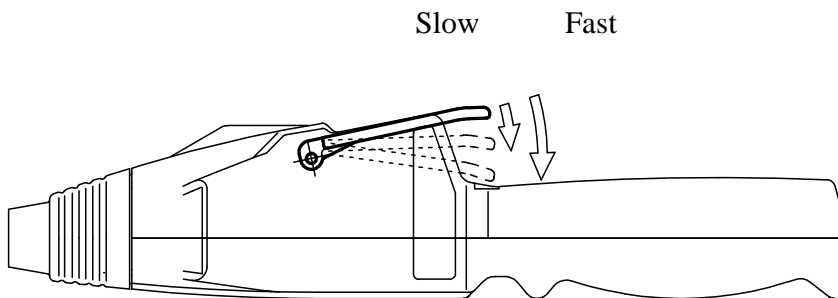
RRI 614RRI 610040



RRI 624050



Pendant Control: the speed is proportional to the movement of the lever.



MAXIMUM LOAD ADJUSTMENT

On every Red Rooster hoist the load limiter is factory set to operate at a load ten percent in excess of the safe working load, at an operating pressure of 6 Bar. Unless a lower supply pressure is to be used, the load limiter will not require adjustment.

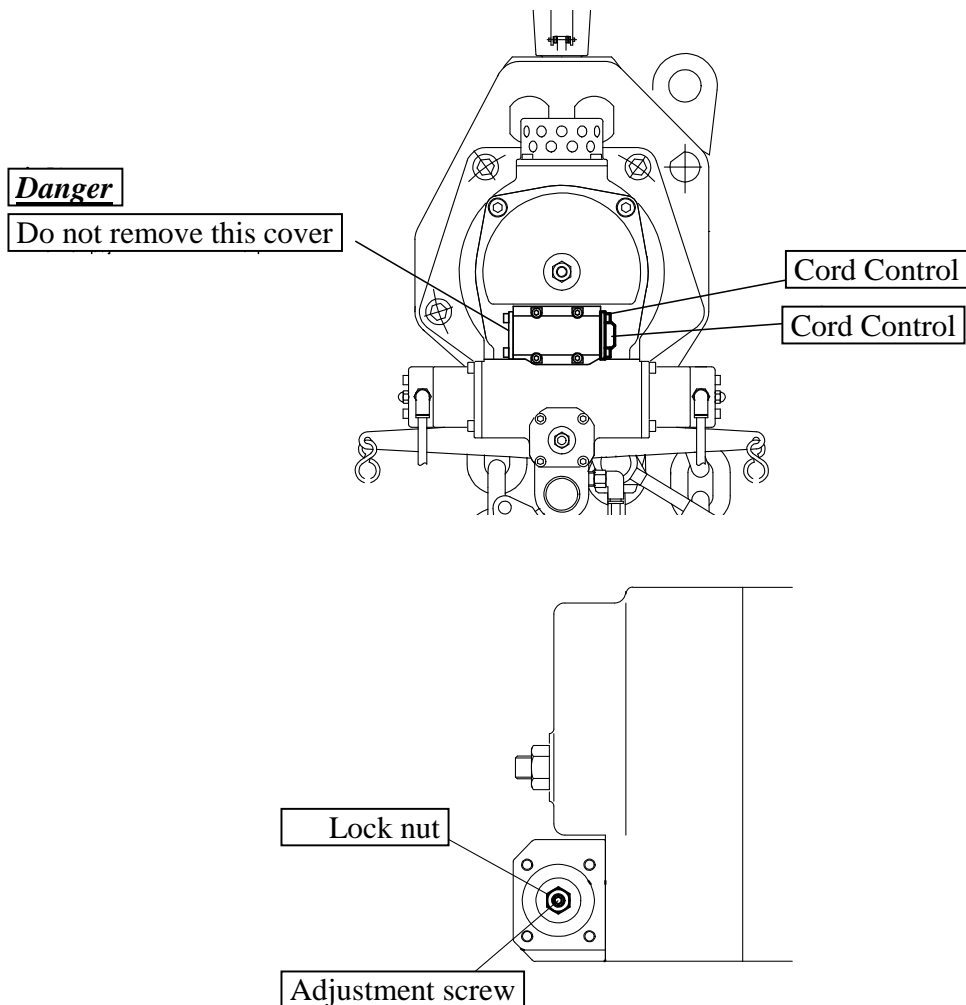
All models in the range incorporate an adjustable load limiter.

How it works

Located adjacent to the control valve, the load limiter measures the pressure across the motor which is proportional to the load on the motor. Once the pressure drop is increased above that of the load limiter setting, the brake is applied and the hoist will not lift the load. It is still possible to lower off the load. In this case the load should then be reduced or a larger capacity hoist installed.

Setting the Load Limiter

Viewing the hoist from the motor end, the load limiter adjusting screw (M6 hex.) is located on the left hand side on the valve cover. It is locked in position with an M6 nut. Back off the lock nut before commencing adjustment.



Set the regulator pressure to that which will be used during operation (normally 6 Bar [90 p.s.i.]).

Turn the adjustment screw anti clockwise until no resistance is felt and then turn clockwise until the internal spring starts to resist.

Apply the safe working load in the hoisting mode slowly and then at full speed.. The hoist will stop automatically.

Rotate the screw one turn in a clockwise direction and again engage the hoisting mode.

Continue, one rotation at a time until the load limiter fails to stop the hoist.

Turn the screw 3/4 turn anti clockwise and ensure the load limiter is operating at this point. (If not continue in an anti clockwise direction a fraction of a turn at a time until the load limiter operates)

Turn the screw a further quarter of a turn anti clockwise and tighten the lock nut.

The load limiter is now set. A significant change in the operating pressure from that selected will necessitate adjustment of the load limiter.

The maximum travel of the adjustment screw is approximately eight turns. If adjusted to this point, the load limiter will not operate (!)

I.) SILENCING

The Red Rooster hoist is fitted with an internal silencer; the noise output being less than 83 dB(a) at one metre (this conforms to E.C. noise regulations).

RRI 610040/625040

These types are fitted with a 2 stage silencer; first stage comprises 1 piece felt, 2 pieces nylon pad and steel disc with holes and the second stage is 1 piece nylon pad circular folded

CHANGING THE SILENCER (S)

RRI-610040/625050

Located on top of the motor, disassemble the 4 pieces M5 screws and take of the cover. In this cover you will find the nylon pad circular folded, replace or clean. On the motor housing is the first stage, loosen the nut and take of the silencer sheets, the nylon pads maybe cleaned and the felt has to be replaced.

J) TROUBLE SHOOTING

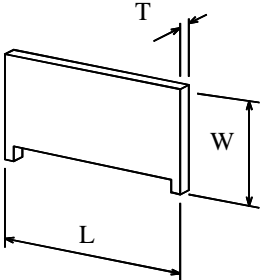
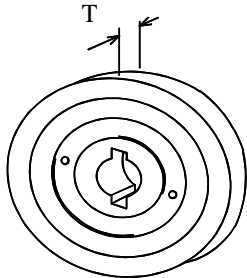
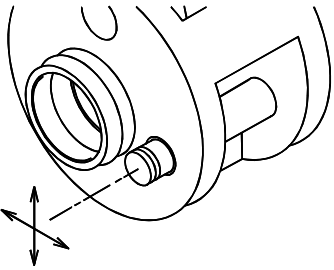
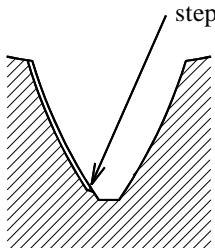
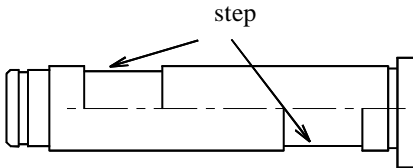
We list below a number of faults which may occur during use, together with the probable cause and the cure. If you experience a fault and cannot identify the cause or if you do not feel confident to remedy the fault, please revert to your hoist supplier.

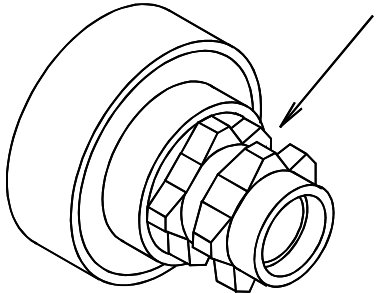
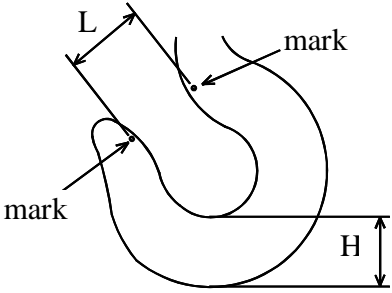
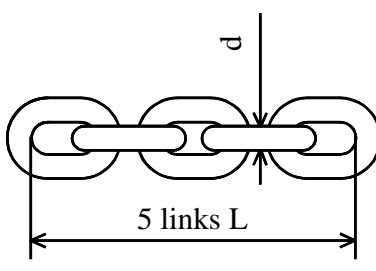
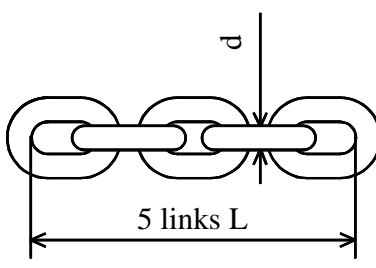
Description of fault noted	Possible cause of fault	Remedy
Hoist fails to start (when newly installed)	<ul style="list-style-type: none"> • Air supply switched. • Damage or kinked pendant hose (type P hoists only) • Emergency stop actuated • Control valve sticking 	<ul style="list-style-type: none"> • Switch on air supply • Disconnect pendant from control valve and check whether there is pressure. Replace as necessary. • Re-set emergency stop • With air supply switched off, open and close the valve using a spanner on the limit lever. Do not use excessive force. If this fails, refer to dealer.
Hoist starts but slows down and stops (when newly installed)	<ul style="list-style-type: none"> • Inadequate air supply • Regulator set in excess of 7 Bar 	<ul style="list-style-type: none"> • Check compressor output against hoist requirement • Check air hose size against table • Ensure fittings are matched to hose size • Replace incorrect items • Reduce to 6 Bar
Hoist starts but will not stop	<ul style="list-style-type: none"> • Sticking valve on pendant • Contamination within the control valve 	<ul style="list-style-type: none"> • Clean and lubricate valve. Replace if necessary • Dismantle, clean and lubricate
Hoist becomes progressively slower over a period of time	<ul style="list-style-type: none"> • Choked exhaust silencer • Inadequate lubrication 	<ul style="list-style-type: none"> • Replace silencer • Check if bolts in valve section have been fitted with 9 Nm • Adjust lubricator unit
Hoist sometimes refuses to start	<ul style="list-style-type: none"> • Worn vanes or damaged vane springs 	<ul style="list-style-type: none"> • Dismantle and replace as necessary
Load chain jumps or makes a clicking sound	<ul style="list-style-type: none"> • Worn load chain or guide • Chain twisted 	<ul style="list-style-type: none"> • Dismantle and replace as required • Incorrectly fitted, remove and refit (examine). • Bottom block twisted through chain parts (Two fall models only)
Motor 'stutters' and recovers periodically	<ul style="list-style-type: none"> • Excessive moisture in air supply 	<ul style="list-style-type: none"> • Increase filtration or fit a dryer
Premature wear in load chain	<ul style="list-style-type: none"> • Inadequate lubrication of chain • Hoist constantly operating at close headroom 	<ul style="list-style-type: none"> • Lubricate the chain • Fit a ball bearing swivel below the hook.

K) SERVICE DATE

MAINTENANCE CHART

RRI – 610040 / 615060 / 620080 / 625040 / 625100 / 635060 / 650080 / 675120

NO.	DESCRIPTION	CHECK POINTS	STD DIMENSION & MAX FOR REPLACEMENT
55	Vane		<p>STD L = 80 mm MAX WEAR L = 79.5 mm STD W = 34.3 mm MAX WEAR W = 32.3 mm STD T = 5 mm MAX WEAR T = 4.5 mm Replace if any of the width, length, and thickness is less than the above max wear.</p>
72	Brake disc		<p>STD T = 4 mm MAX WEAR T = 2.5 mm Below max value for replacement</p>
110	Cage		<p>Replace when there is large play in the pin hole.</p>
111 114 115 117	Star gear Pinion Wheel ring Gear		<p>Replace if there is a step on the surface of the gear teeth.</p>
112	Pin		<p>Replace if there is a step on the surface of the pin. If the pin is replaced, replace the needle bearing and star gear at the same time.</p>

NO.	DESCRIPTION	CHECK POINTS	STD DIMENSION & MAX FOR REPLACEMENT
115	Wheel		The extreme wear and damage on the load sheave (sprocket part).
91	Chain guide	Check internal of hoist body	Replace if the wear of any part of the chain guide exceeds more than 1mm.
140 142	Upper hook Swivel hook		<p>Dimensions of L and H should be measured and recorded when new. Measure their dimensions and compare them with when new.</p> <p>If the difference is more than 2 mm for L, and 1mm for H, please change hook.</p> <p>Hook should not be slack, if it is it should be replaced.</p>
101	Link chain 16 x 45		<p>STD L = 225 mm MAX L = 228.5 mm Replace if L exceeds max L</p> <p>STD d = 16 mm MIN d = 15.5 mm Replace if d exceeds max d.</p> <p>Also replace if the link chain is severely damaged.</p>
101	Link chain 22 x 66		<p>STD L = 330 mm MAX L = 333.8 mm Replace if L exceeds max L</p> <p>STD d = 22 mm MIN d = 21.5 mm Replace if d exceeds max d.</p> <p>Also replace if the link chain is severely damaged.</p>

L) DUTY RATINGS

FEM 9.5.11 classifies the theoretical loading conditions and operating time in hours per day.

FEM 9.755 classifies the theoretical duration of service for safe operation.

APPLICATION OF FEM RULES TO PNEUMATIC HOISTS

With most mechanical equipment, the limiting factor with regard to operating time is that of HEAT GENERATION. For example, an electric motor if not periodically allowed a 'rest period' to allow it to cool down after each period of use will cease to function due to irreversible damage arising as a consequence of the heat.

Air motors perform differently. Although heat is generated, provided that the motor is properly lubricated, no damage will ensue. The expanding air at the outlet manifold also has a cooling effect on the motor.

As a result pneumatic motors are commonly referred to as 100% duty rated or continuous rated, which means simply that they may be used continuously without a cooling down period and without damage arising as a consequence.

Incorporated into the TCR hoist are three classes of components

Sacrificial components - These components are designed to incur wear to either protect other components or to function by means of friction generation. They require periodic inspection and replacement and comprise the Rotor Vanes and the Brake Disc. Inadequate lubrication seriously reduces the life expectancy of the vanes, whilst incorrect adjustment will severely reduce the life expectancy of the brake disc.

Load Chain - Whilst adequate lubrication of the load chain will reduce friction and thereby limit the wear occurring between the bearing points of adjacent links, it will not totally eliminate it. Hence it will require regular inspection and will also require replacement within the service life of the hoist.

Structural and mechanical components - These comprise all other parts of the hoist, including gearbox and bearings, rotor and housing, valve, hooks, pins etc. A theoretical service life for every component has been calculated (available on request). For the purposes of the summary, the shortest service life of any component has been included.

Table of Duties –

<p>Loading conditions and operating time</p>	
<p>FEM 9.511</p> <p>Heavy loads</p> <p>Medium but frequently heavy loads</p> <p>Usually small loads, but often heavy loads</p>	<p>5M</p> <p>up to 8 hours per day</p> <p>up to 16 hours per day</p> <p>Greater than 16 hours per day</p>
<p>Theoretical duration of service</p>	
<p>FEM 9.755</p> <p>Sacrificial Components</p> <p>Load Chain</p> <p>Structural & Mechanical components*</p>	<p>1 Am (M4) 800 to 6300 hours</p> <p>2M (M5) 1600 to 12500 hours</p> <p>2M (M5) 1600 to 12500 hours</p>

*Shortest duration stated.

IMPORTANT NOTES

A hoist is deemed to be operating when it is in motion.

All ratings are based on a clean, dry, air supply and correct lubrication.

Load chain must be to manufacturer's specification.

Special chains are excluded (consult your supplier).

Mode of use must be in accordance with manufacturer's recommendation.

M.) WARRANTY

The warranty period from the date of purchase is as follows:

12 months on Toku pneumatic chain hoists;
3 months on spare parts of hoists, which are repaired by us.

Warranty covers material or construction mistakes of the manufacturer, which are clearly definable. Replacement of parts or repair by an official Toku service workshop is free of charge, when the tool is covered by warranty. Freight or postage is for the account of buyer.

Damage attributable to a normal wear, overloading or incorrect use is excluded from warranty. Always consult this manual! Replacement of tools as a consequence of warranty claims is no part of the warranty arrangements.

Also claims for loss of production and/or other damages are excluded from this warranty. Repairs under warranty can only be considered, when the tool is in its original state and it is accompanied by a copy of the purchase invoice. Warranty claims have to be made through the dealer, who has supplied the tool concerned. These warranty conditions are based on a 8 hours working day.

Do not modify or make any changes to the hoist. If modifications or changes are required, return the hoist to your dealer, Red Rooster (UK) or Yokota Europa B.V.

Intended use.

The Red Rooster Hoists are developed for lifting and lowering loads vertical as described in this manual, eventual in combination with a trolley for horizontal movement.

Any other use is prohibited.

The hoist should not be modified in any way, without contacting the manufacturer for approval.

If you have any question about the hoist or manual, please contact your dealer, Red Rooster (UK) or Yokota Europa B.V.